

# Miniature PCB Power Relays



## FEATURES:

Superminiature, high power relays  
Low coil power consumption  
PC board mounting  
Suitable for household applications, automation systems, electronic equipment and communication facilities

## SPECIFICATION:

Colour	Black
Contact material	Silver alloy, AgCdO + AgSnO <sub>2</sub>
Dimensions L x W x H	18.8 x 15.2 x 15.7 mm
Mounting	PCB
Switching capacity	2500 VA
Temperature range	-40...+100 °C
Contact resistance	100 MΩ Max.
Operating time	10 sec Max.
Insulation system	5 msec Max.
Switching capacity	100MΩMin.(DC500V)
Dielectric strength	Between open contacts: AC750V, 50/60Hz for 1min.
	Between coil and contact: AC1500V, 50/60Hz for 1min
Vibration resistance	Functional   10~55Hz at double amplitude of 3.3
	Functional   10~55Hz at double amplitude of 3.3
Shock resistance	Functional   100m/s <sup>2</sup> 11ms
	Destructive   100m/s <sup>2</sup> 11ms
Expected service endurance	Mechanical endurance   10,000,000 cycles (10,800 cycles/h)
	Electrical endurance   100,000 cycles (1,800 cycles/h)
Soldering ability	Soldering temperature   (260±3) °C
	Soldering time   (3±0.5) s
Ambient temperature	-40°C~+105°C (No condensation)
Weight	Approx. 9.5 g

## PRODUCT RANGE:

Art. Nr.	Ucoil	Contacts	Switching current	Switching voltage	Rcoil	Pcoil
RND 200-00006	12 VDC	1 CO	7 A	250 VAC	400 Ω	0.36 W
RND 200-00015	12 VDC	1 NO	7 A	250 VAC	400 Ω	0.36 W

# Miniature PCB Power Relays



## CONTACT DATA:

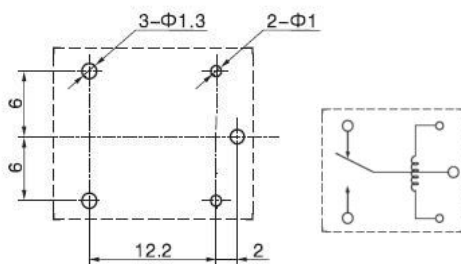
Initial Contact Resistance	100 M $\Omega$
Contact Material	AgCdO;AgSnO <sub>2</sub>
Max.Switching Power	2250VA/336W
Max.switching Voltage	110VDC 380VAC
Max.switching Current	12A
Life expectancy (mechanical)	10 000 000 operations (frequency 10 800 op/h)
Life expectancy (electrical)	100 000 operations (frequency 1800 op/h)

## OPERATION CONDITIONS:

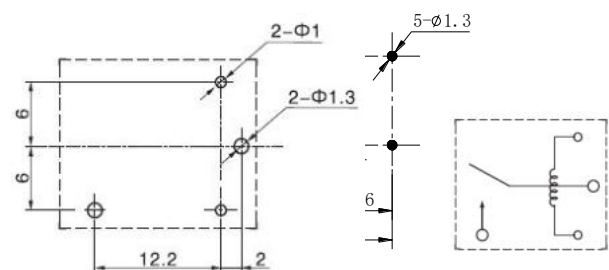
Insulation Resistance	100 M $\Omega$ min (at 500VDC)
Dielectric Strength:	
Between coil and Contacts:	50Hz 1500VAC
Between open contacts:	50Hz 750 VAC
Operate time	10ms
Release time	5ms
Shock Resistance	100m/s <sup>2</sup> 11ms
Vibration Resistance	10~55Hz amplitude 3.3 mm
Terminal strength	5 N
Humidity	93%
Construction	Sealed & Dust Cover
Weight	10.5 g

## MOUNTING AND WIRING DIAGRAM VIEWS (BOTTOM):

### 1 CO:



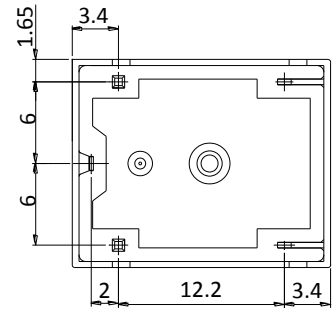
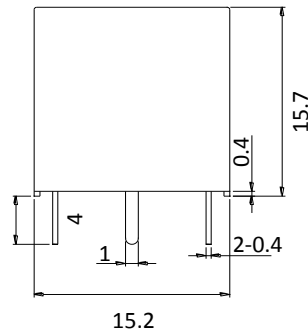
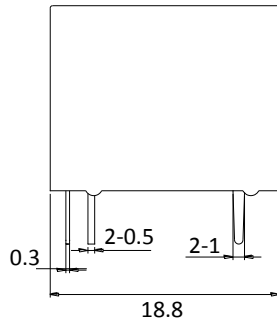
### 1 NO:



# Miniature PCB Power Relays



## DIMENSIONS:



## CHARACTERISTICS CURVE:

